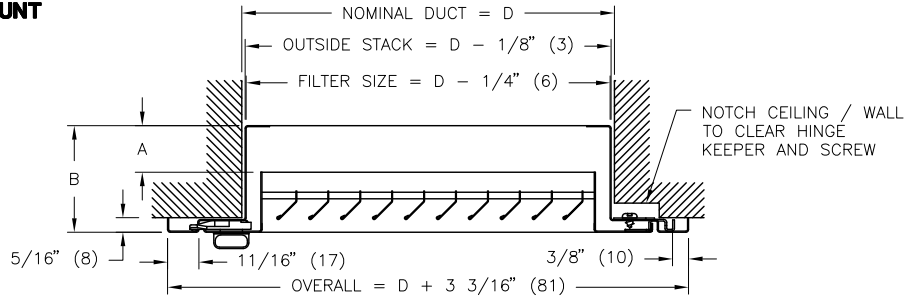


**530FF, 535FF STEEL FILTER GRILLES**

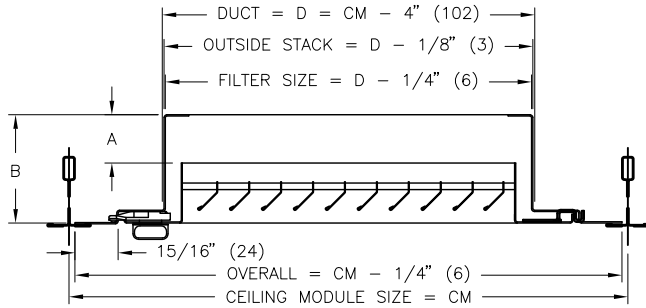
**MOUNTING/FASTENING:**

**SM - SURFACE MOUNT**

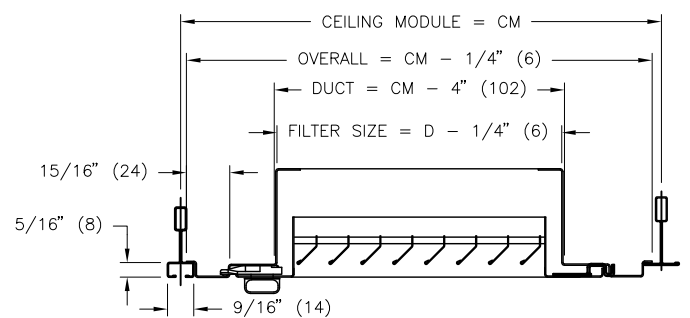


**NOTE:**  
FOR SIDEWALL INSTALLATION, HINGE TABS MUST BE AT TOP.

**TB - 15/16\" T-BAR LAY-IN**

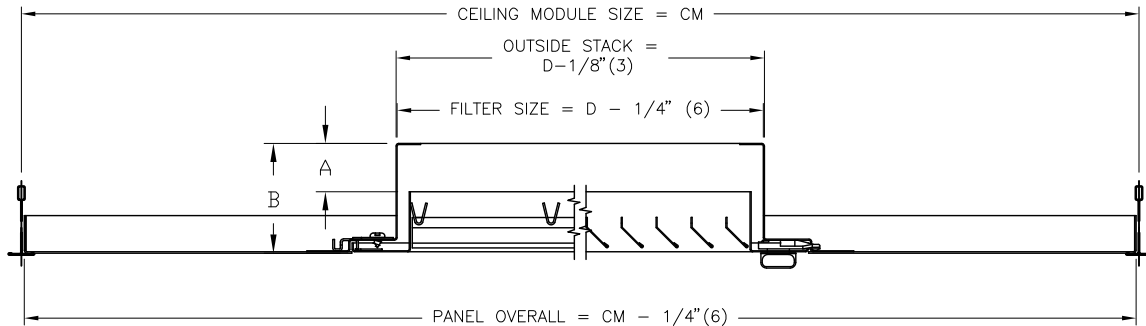


**17 - 9/16\" REGULAR OR BOLT SLOT**

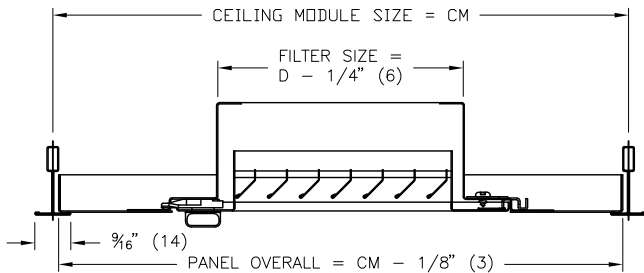


**530FF, 535FF PANEL MOUNTED FILTER GRILLES**

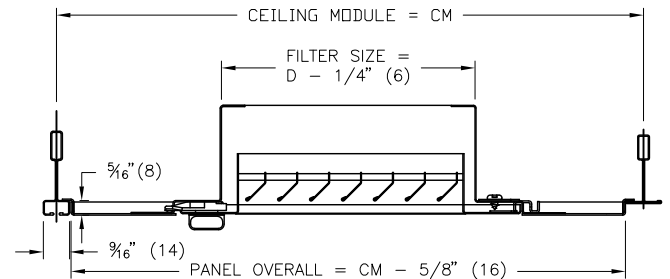
**3P - 15/16\" T-BAR LAY-IN PANEL**



**916P - 9/16\" T-BAR LAY-IN PANEL**



**17P - 9/16\" REGULAR OR BOLT SLOT T-BAR PANEL**



ALL METRIC DIMENSIONS ( ) ARE SOFT CONVERTED. IMPERIAL DIMENSIONS ARE CONVERTED TO METRIC AND ROUNDED TO THE NEAREST MILLIMETER.

**PROJECT:**

**ENGINEER:**

**CUSTOMER:**

**SUBMITTAL DATE:**

**SPEC. SYMBOL:**



*MG*  
219694  
2018/03/19

**530FF, 535FF**  
STEEL FILTER GRILLES

**BLADE ORIENTATION:**

- L** - BLADES ARE PARALLEL TO LONG DIMENSION
- S** - BLADES ARE PARALLEL TO SHORT DIMENSION

**FILTER SIZE:**

- 1"** - FILTER FRAME ACCEPTS 1" FILTER
- 2"** - FILTER FRAME ACCEPTS 2" FILTER

**MATERIAL:**

STEEL CONSTRUCTION

**FINISHES:**

- B12 WHITE  
(OPTIONAL FINISHES AVAILABLE)

**NOTES:**

SURFACE MOUNT :

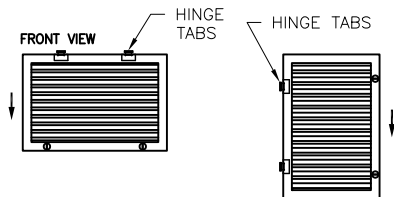
MIN. SIZE: 8" X 4" (203 X 102)  
MAX. SIZE: 48" X 48" (1219 X 1219)

- T-BAR LAY-IN MOUNT :  
12" X 12" (305 X 305)  
24" X 12" (610 X 305)  
24" X 24" (610 X 610)  
48" X 24" (1219 X 610)

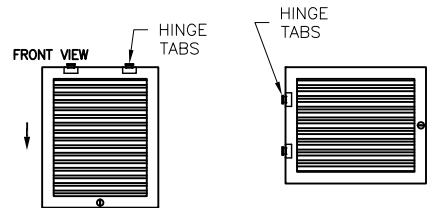
- LISTED SIZE FOR T-BAR MOUNTING IS THE CEILING MODULE SIZE.
- LISTED SIZE FOR SURFACE MOUNTING IS THE NOMINAL DUCT SIZE.
- MOUNTING HOLES IN FILTER FRAME BY INSTALLER.
- 3P, 916P & 17P T-BAR LAY-IN PANEL MOUNTED :  
CEILING MODULE: 24" X 24" (610 X 610)  
INLET SIZE: MIN. 6" X 6" (152 X 152), MAX. 18" X 18" (457 X 457)  
CEILING MODULE: 48" X 24" (1219 X 610)  
INLET SIZE: MIN. 6" X 6" (152 X 152), MAX. 42" X 18" (1067 X 457)
- FILTER MEDIA SUPPLIED BY OTHERS
- QUARTER TURN FASTENER LOCATION PER FACTORY STANDARD.
- FACTORY TOLERANCE +/- 1/32" (1)

**FASTENER ORIENTATION:**

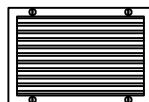
- HL** - HINGE TABS ARE PARALLEL TO LONG DIMENSION



- HS** - HINGE TABS ARE PARALLEL TO SHORT DIMENSION

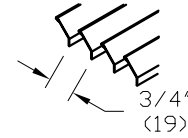


- QR** - 1/4 TURN FASTENERS ONLY

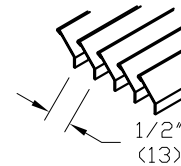


**CORE STYLES:**

- 530FF** - 3/4" BLADE SPACING



- 535FF** - 1/2" BLADE SPACING



**DIMENSIONING SCHEDULE**

FILTER SIZE	A	B
1"	1 (25)	2 <sup>5</sup> / <sub>16</sub> (59)
2"	2 (51)	3 <sup>5</sup> / <sub>16</sub> (85)

ALL METRIC DIMENSIONS ( ) ARE SOFT CONVERTED. IMPERIAL DIMENSIONS ARE CONVERTED TO METRIC AND ROUNDED TO THE NEAREST MILLIMETER.

<b>PROJECT:</b>		<b>PRICE®</b>	
<b>ENGINEER:</b>		<i>MG</i>	<b>530FF, 535FF</b> STEEL FILTER GRILLES
<b>CUSTOMER:</b>		219694	
<b>SUBMITTAL DATE:</b>	<b>SPEC. SYMBOL:</b>	2018/03/19	